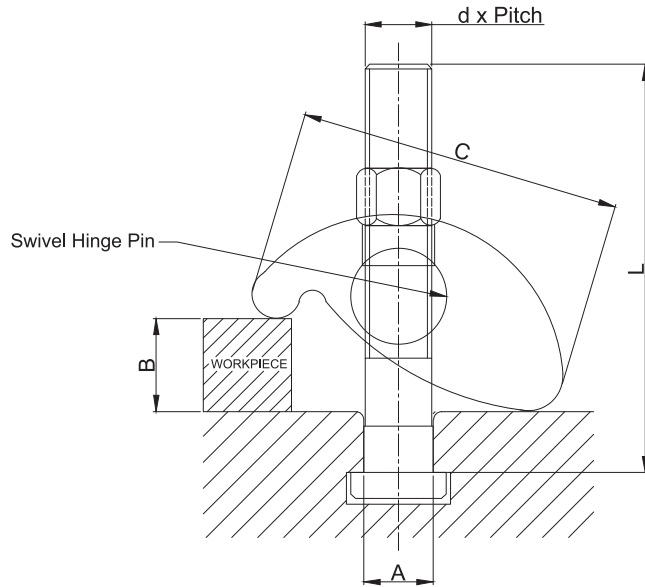


► Universal Clamp - (PUC)



Material :- Casting (CI) Grade FG260
Hardness :- 180 - 200 BHN

Type	T-Slot size A	d x Pitch x L	Clamping range B	Length of clamp C	Breadth of clamp	Tightening Torque Nm Max.	Clamping Force Max. Kgs	N.W Kgs
PUC-12A	12	M12 x 1.75 x 100	0 - 60	105	42	90	2000	0.84
PUC-12B	14	M12 x 1.75 x 100	0 - 60	105	42	90	2000	0.86
PUC-16A	16	M16 x 2.0 x 130	0 - 80	130	50	210	3200	1.73
PUC-16B	18	M16 x 2.0 x 130	0 - 80	130	50	210	3200	1.74
PUC-20A	20	M20 x 2.5 x 150	0 - 100	160	55	410	5000	2.45
PUC-20B	22	M20 x 2.5 x 150	0 - 100	160	55	410	5000	2.48
PUC-24A	24	M24 x 3.0 x 210	0 - 120	190	65	730	6000	4.39
PUC-24B	28	M24 x 3.0 x 210	0 - 120	190	65	730	6000	4.68

Order Type :- Code
Example :- PUC - 24A